



## **Spare Parts List**

IP Cleaning Soteco

Ref: ASDO05728

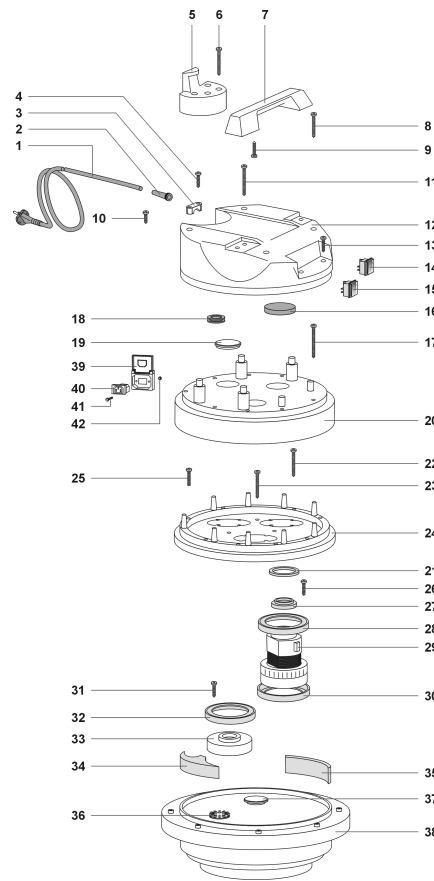
Model: EXTRACTOR FLASH RAD.W/ACC.



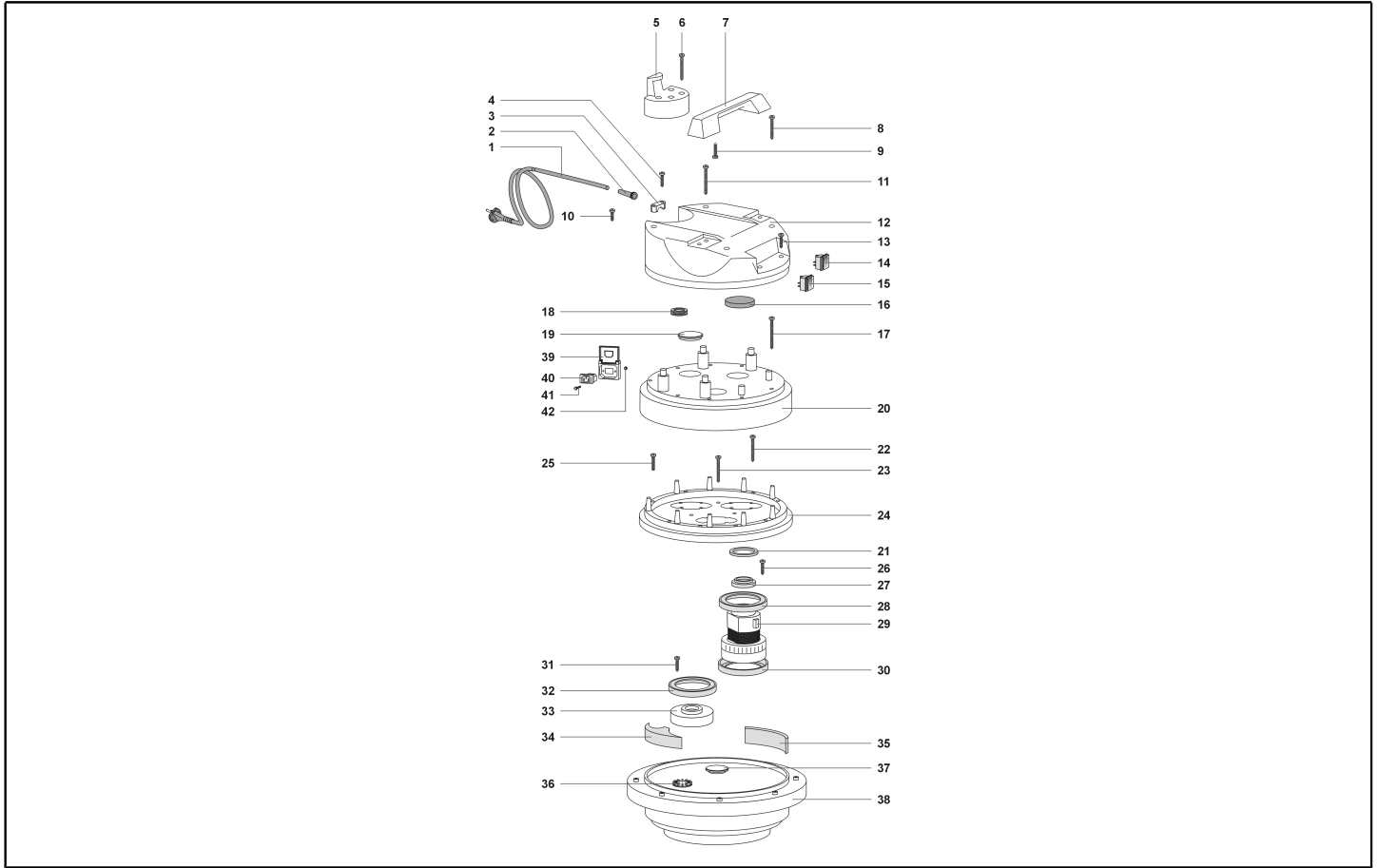
IPC Integrated Professional Cleaning

**IPC Soteco**

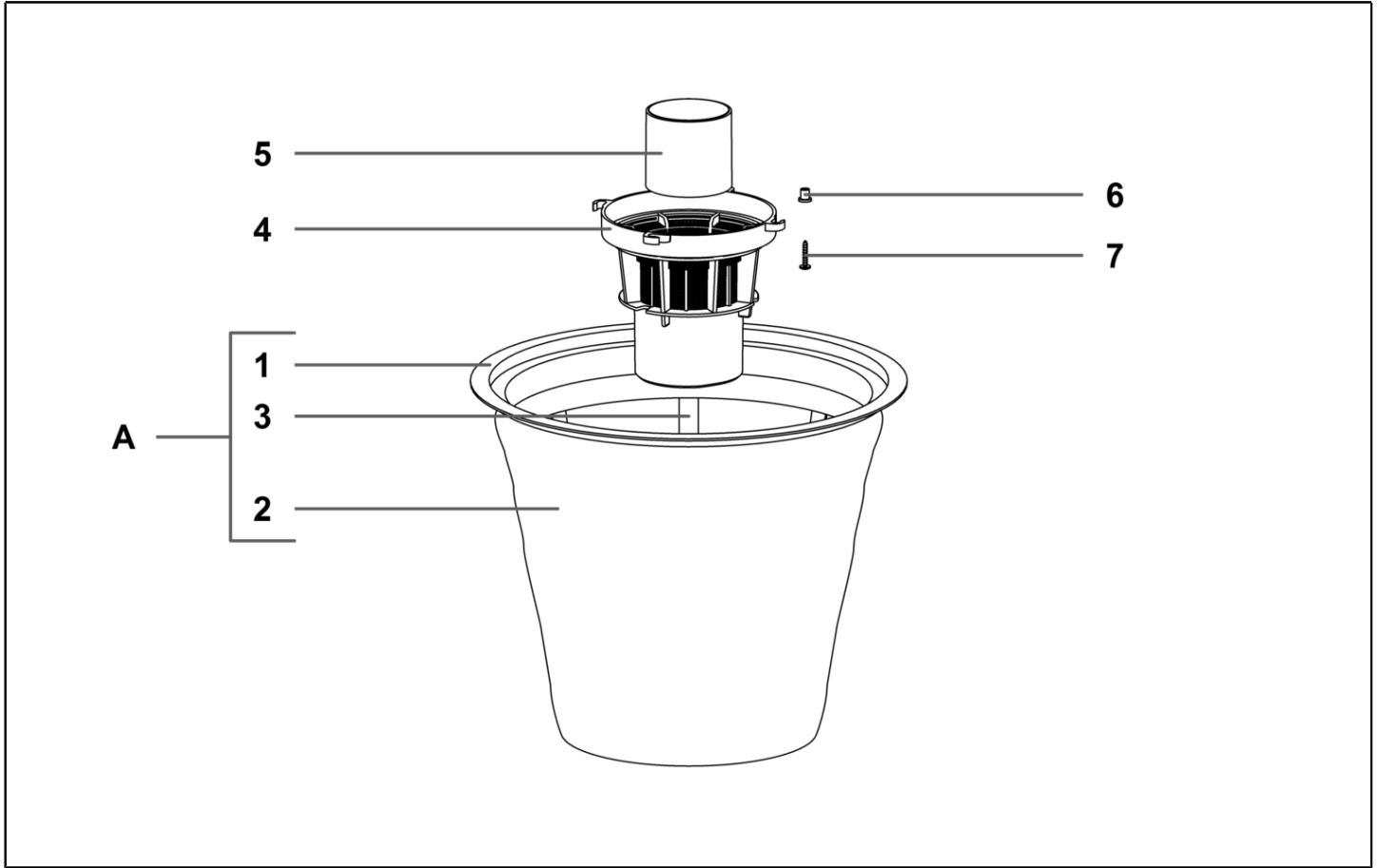
| Ref. K | Part N.   | Old Ref.       | Description                    | Quantity | Validity |    | Price |
|--------|-----------|----------------|--------------------------------|----------|----------|----|-------|
|        |           |                |                                |          | From     | To |       |
| 0001   | PMTA00075 | 03711          | HEAD FLASH RAD.                | 1,00     |          |    | --    |
| 0002   | KTRI72229 | 04246          | COMPL.FILTRATION KIT 400       | 1,00     |          |    | --    |
| 0003   | LAFN87146 | 01442          | CLEAR WATER TANK COMPL. GARAGE | 1,00     |          |    | --    |
| 0004   | KTRI40132 | 02994/MARK     | DRAIN DEVICE D.34 COMP MARK    | 1,00     |          |    | --    |
| 0005   | PMFU00479 | 00948 DROP     | TANK 400 A304 R G6RE/G6/G6 STD | 1,00     |          |    | --    |
| 0006   | CARR01429 | 00900 BASE/SCA | TROLLEY BASE MARKET FOR SPACER | 1,00     |          |    | --    |



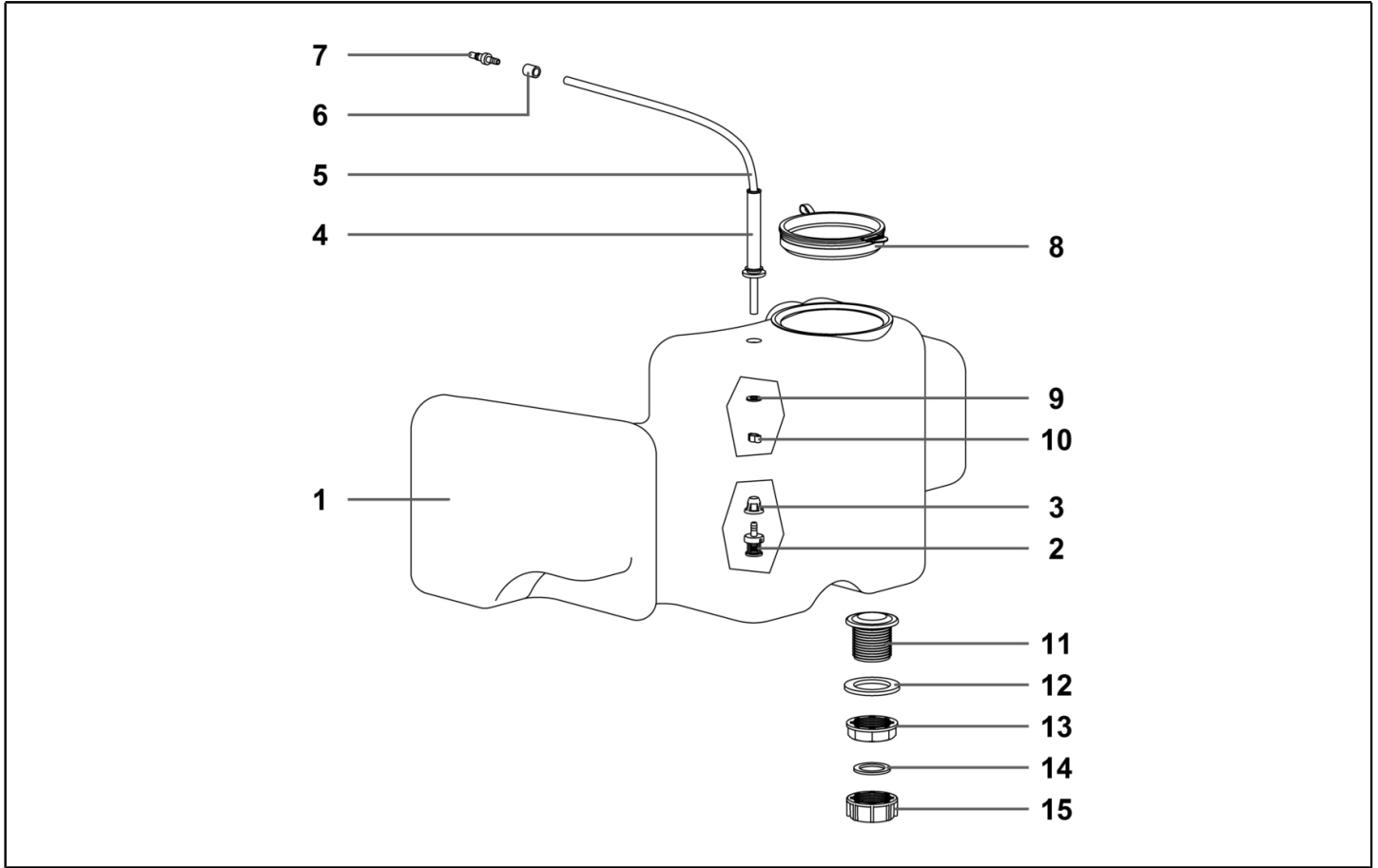
| Ref. K | Part N.   | Old Ref.      | Description                      | Quantity | Validity |    | Price |
|--------|-----------|---------------|----------------------------------|----------|----------|----|-------|
|        |           |               |                                  |          | From     | To |       |
| *      | PMQE00267 | 07019         | ELECTRIC KIT ESTR.600 PUMP ULKA  | 1,00     |          |    | --    |
| *      | FSVR00127 | 01106         | CLAMP                            | 16,00    |          |    | --    |
| *      | MECB01826 | 07632/PI L TP | WIRING 50CM MOTORE POKE-IN-TP    | 2,00     |          |    | --    |
| *      | PEL00077  | 06271         | PUMP GROUP FLASH                 | 1,00     |          |    | --    |
| 0001   | MECB28740 | 00489         | ELECTRIC CORD 3X1,5 MT 8,5       | 1,00     |          |    | --    |
| 0002   | MEVR28673 | 00138         | FAIRLEAD                         | 1,00     |          |    | --    |
| 0003   | MPVR28690 | 00139         | CABLE CLAMP                      | 1,00     |          |    | --    |
| 0004   | VTVT71961 | 01006         | SCREW PFU TMT PHL 5X20 BLACK     | 2,00     |          |    | --    |
| 0005   | MPVR09471 | 03032G6       | HOOK P/CABLE MEC 600 GR.6000     | 1,00     |          |    | --    |
| 0006   | VTVT72106 | 02627         | SCREW PAT TMT PHL 5X40 BLACK     | 4,00     |          |    | --    |
| 0007   | MPVR09493 | 03034G6       | HANDLE MEC 600 GREY 6000         | 1,00     |          |    | --    |
| 0008   | VTVT71971 | 01050         | SCREW PAT TMT PHL 5X35 BLACK     | 2,00     |          |    | --    |
| 0009   | VTVT71961 | 01006         | SCREW PFU TMT PHL 5X20 BLACK     | 4,00     |          |    | --    |
| 0010   | VTVT71960 | 01005         | SCREW PAT TMT PHL 5X14 ZN BLACK  | 2,00     |          |    | --    |
| 0011   | VTVT32295 | 01054         | SCREW PAT TMT PHL 5X50           | 2,00     |          |    | --    |
| 0012   | PMVR05440 | 03107 BPG5    | COVER ATLAS BY PASS GR5000       | 1,00     |          |    | --    |
| 0013   | VTVT71961 | 01006         | SCREW PFU TMT PHL 5X20 BLACK     | 2,00     |          |    | --    |
| 0014   | MECI28744 | 00484         | ANTISPLASH RED LIGHT SWITCHER    | 2,00     |          |    | --    |
| 0015   | MECI72268 | 00756         | ANTISPLASH GREEN LIGHT SWITCH    | 1,00     |          |    | --    |
| 0016   | FTDP38064 | 03937         | FILTER MTP/65 H=15 D.95          | 2,00     |          |    | --    |
| 0017   | VTVT40007 | 03273         | SCREW PAT TMT PHL 5X55 BLACK     | 9,00     |          |    | --    |
| 0018   | MEVR72017 | 01502         | GUIDING SLIT FOR QUICK COUPLING  | 1,00     |          |    | --    |
| 0019   | MPVR38053 | 03383         | COVERING CAP                     | 1,00     |          |    | --    |
| 0020   | PMVR05601 | 03708G6       | COVERING STORM GREY 6000         | 1,00     |          |    | --    |
| 0021   | MPVR38371 | 03969         | WASHER H8 D85X65                 | 2,00     |          |    | --    |
| 0022   | VTVT72106 | 02627         | SCREW PAT TMT PHL 5X40 BLACK     | 9,00     |          |    | --    |
| 0023   | VTVT72106 | 02627         | SCREW PAT TMT PHL 5X40 BLACK     | 3,00     |          |    | --    |
| 0024   | MPVR09334 | 02937G5       | GREY MOT FASTEN NEV. 600 5000    | 1,00     |          |    | --    |
| 0025   | VTVT01181 | 03189         | SCREW TC CROSS M 5X30 UNI 7687   | 1,00     |          |    | --    |
| 0026   | VTVT71961 | 01006         | SCREW PFU TMT PHL 5X20 BLACK     | 8,00     |          |    | --    |
| 0027   | MPVR86282 | 00310         | RING MOTORE H=7 (15) PLAST.      | 2,00     |          |    | --    |
| 0028   | GUGO28683 | 03901         | "L" GASKET W/O HOLES H=5,5       | 2,00     |          |    | --    |
| 0029   | MOMO28716 | 03891/E       | MOT.BD302 1000W 220-240V 50-60HZ | 2,00     |          |    | --    |
| 0030   | GUGO28683 | 03901         | "L" GASKET W/O HOLES H=5,5       | 2,00     |          |    | --    |
| 0031   | VTVT71961 | 01006         | SCREW PFU TMT PHL 5X20 BLACK     | 4,00     |          |    | --    |
| 0032   | GUGO28683 | 03901         | "L" GASKET W/O HOLES H=5,5       | 1,00     |          |    | --    |
| 0033   | MPVR07346 | 022040        | FAKE MOTOR                       | 1,00     |          |    | --    |
| 0034   | FTDP38057 | 03454         | ANTINOISE TRIANGLE H=51          | 3,00     |          |    | --    |
| 0035   | FTDP28745 | 03456         | GASKET MTP/30 AU-AD 50X10X85     | 3,00     |          |    | --    |
| 0036   | MPVR28748 | 00468         | AUTOMATIC VALVE                  | 2,00     |          |    | --    |
| 0037   | MPVR38058 | 03519         | BASE CAP                         | 1,00     |          |    | --    |
| 0038   | MPVR02262 | 03108 PG6     | BASE 600/400 W/GASK.W/PLATE GR6  | 1,00     |          |    | --    |
| 0039   | MEVR29329 | 02184         | ADD.SOCKET PROTECTION            | 1,00     |          |    | --    |
| 0040   | MEVR29330 | 00098         | SCREWED ADDITIONAL SOCKET        | 1,00     |          |    | --    |



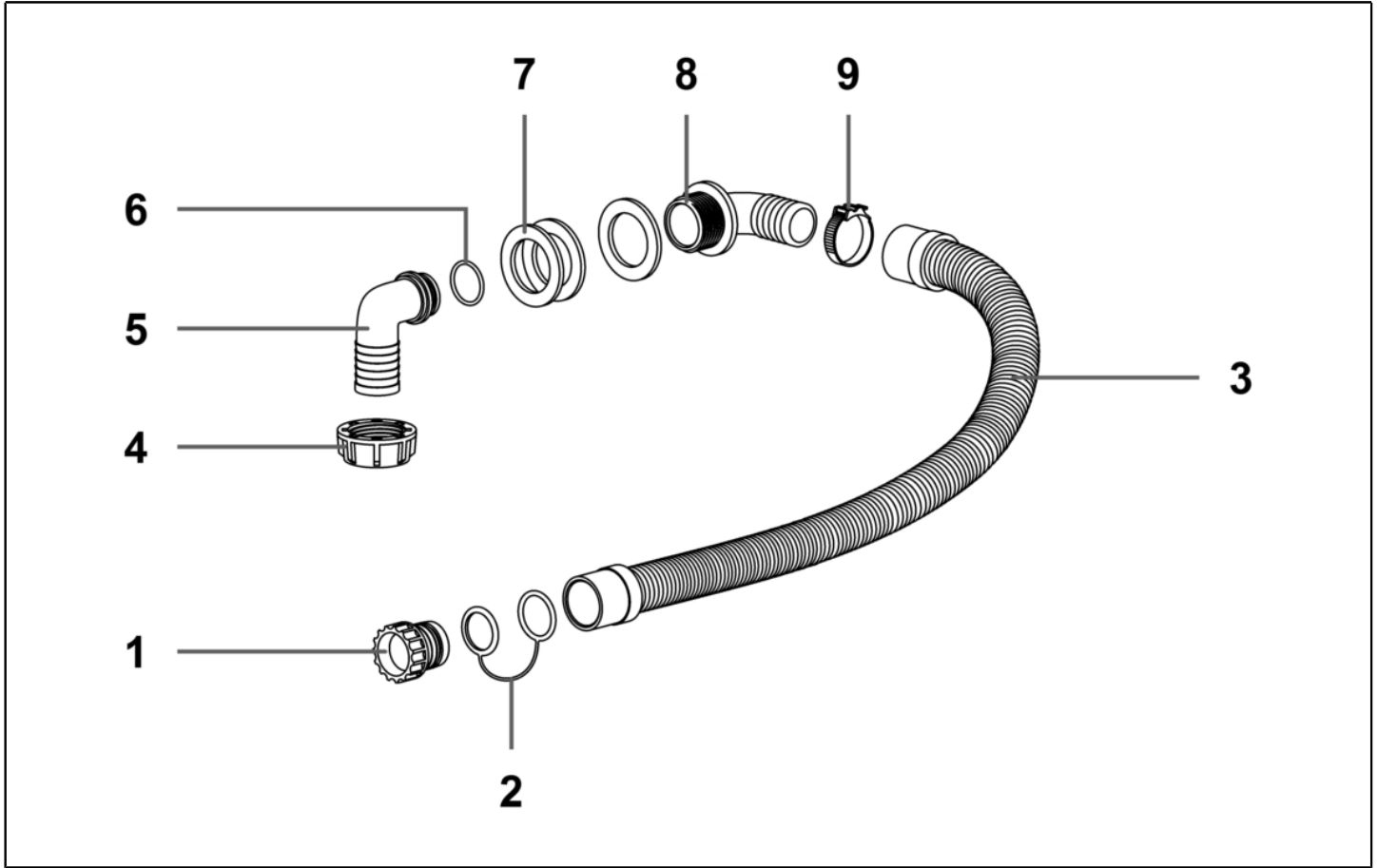
| Ref. K | Part N.   | Old Ref. | Description              | Quantity | Validity |    | Price |
|--------|-----------|----------|--------------------------|----------|----------|----|-------|
|        |           |          |                          |          | From     | To |       |
| 0041   | VTVT01029 | 01044    | SCREW TSP M 3X25 UNI 610 | 2,00     |          |    | --    |
| 0042   | VTDD00227 | 01046    | NUT M 3 UNI 5588         | 2,00     |          |    | --    |



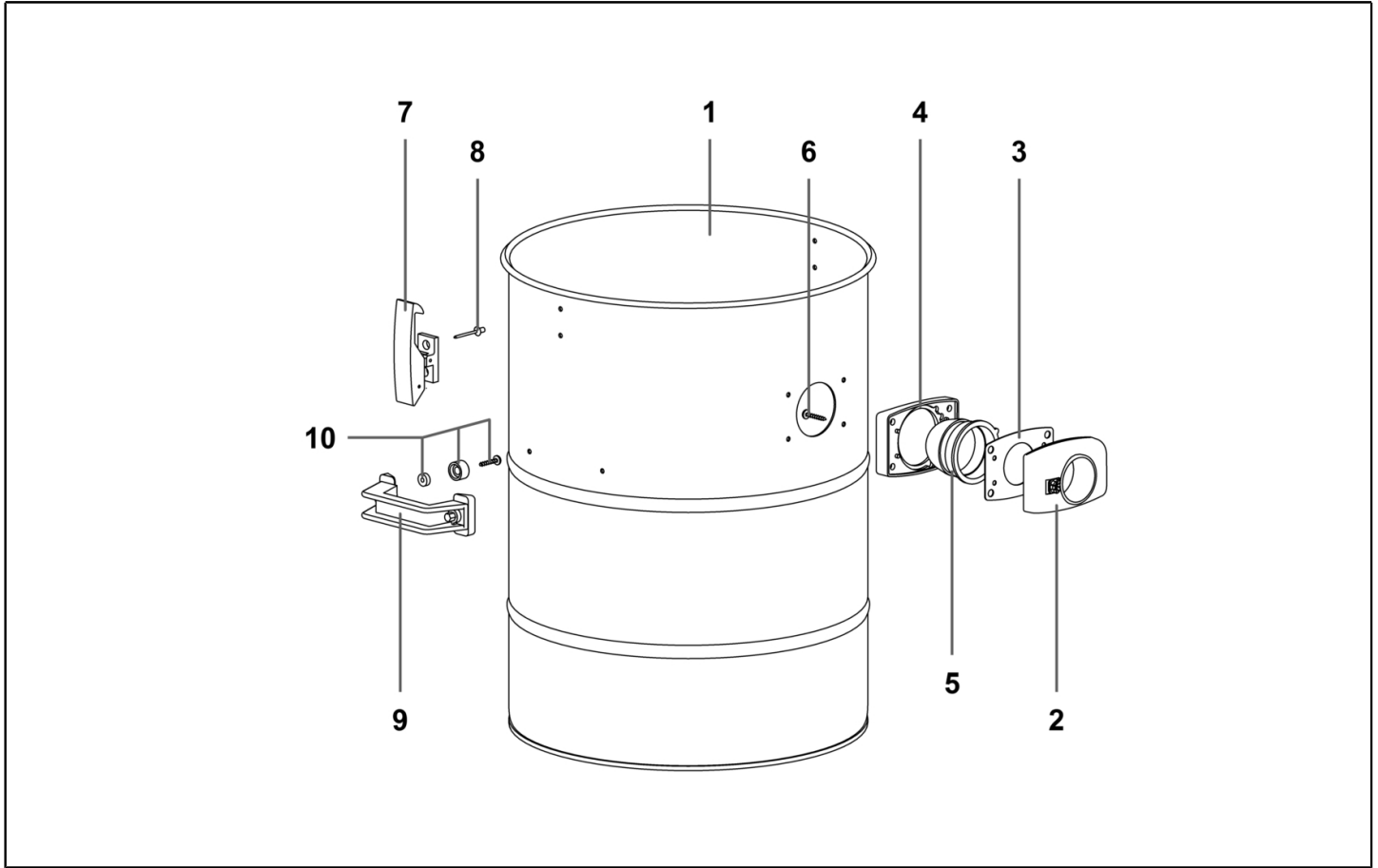
| Ref. K | Part N.   | Old Ref.  | Description                      | Quantity | Validity |    | Price |
|--------|-----------|-----------|----------------------------------|----------|----------|----|-------|
|        |           |           |                                  |          | From     | To |       |
| A      | FTDP28733 | 03240 SAN | KIT RING+FILT+BASK.400 CONIC.SAN | 1,00     |          |    | --    |
| 0001   | MPVR35807 | 00473     | FILTER RING 400                  | 1,00     |          |    | --    |
| 0002   | FTDP00523 | 02845 SAN | FILTER POLY AN4-600 CON REG H320 | 1,00     |          |    | --    |
| 0003   | MPVR09199 | 02833-1   | CONICAL BASKET 400               | 1,00     |          |    | --    |
| 0004   | MPVR40521 | 021243NE  | NET ANTIFOAM BODY HIGH           | 1,00     |          |    | --    |
| 0005   | RCGR40008 | 02676-1 G | HIGH FLOAT 99 W/GASKET 37 SHA    | 1,00     |          |    | --    |
| 0006   | MPVR35796 | 03706     | PLASTIC SLEEVE D.8               | 4,00     |          |    | --    |
| 0007   | VTVT36751 | 03724     | SCREW PAT TMT PHL 5X25           | 4,00     |          |    | --    |



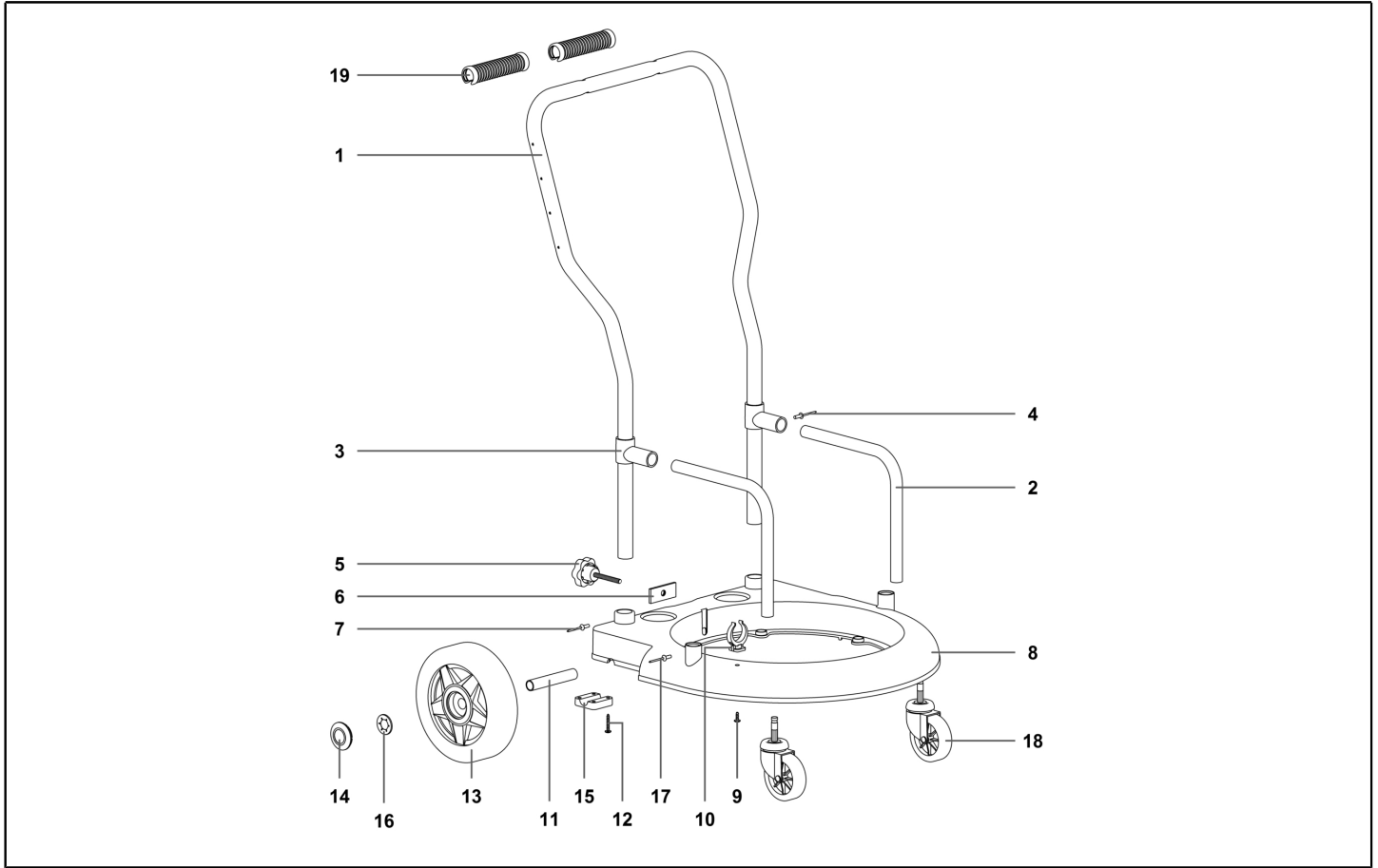
| Ref. K | Part N.   | Old Ref.  | Description                   | Quantity | Validity |    | Price |
|--------|-----------|-----------|-------------------------------|----------|----------|----|-------|
|        |           |           |                               |          | From     | To |       |
| 0001   | MPVR06185 | 01439     | CL.WATER DRUM                 | 1,00     |          |    | --    |
| 0002   | FTDT72115 | 02689     | COMPLETE DIP FILTER           | 1,00     |          |    | --    |
| 0003   | RCDS72165 | 03036     | DIP LOCKING FILTER            | 1,00     |          |    | --    |
| 0004   | MEVR02216 | 00138/L   | FAIR-LEAD LONG                | 1,00     |          |    | --    |
| 0005   | TBBP72261 | 00723     | HYDROLITIC HOSE 8x5 PER METER | 1,10     |          |    | --    |
| 0006   | FSVR38348 | 03171     | PLAST CLIP D.8                | 1,00     |          |    | --    |
| 0007   | RCIN38912 | 03664/OTT | BRASS QUICK COUPLING P.G5,2   | 1,00     |          |    | --    |
| 0008   | MPVR87032 | 00257     | TANK CAP                      | 1,00     |          |    | --    |
| 0009   | MPVR05654 | 00954     | STEEL WASHER D.8              | 1,00     |          |    | --    |
| 0010   | FSVR72112 | 02660     | STRICK CLIP 7-9               | 1,00     |          |    | --    |
| 0011   | MPVR40140 | 00835     | FILLING PIPE 1-1/4"           | 1,00     |          |    | --    |
| 0012   | GUGO41219 | 00256     | GASKET 60X40X4                | 1,00     |          |    | --    |
| 0013   | MPVR41218 | 00834     | RING 1-1/4"                   | 1,00     |          |    | --    |
| 0014   | GUVR40018 | 00255     | CAP GASKET                    | 1,00     |          |    | --    |
| 0015   | RCVR40015 | 00833     | CAP 1-1/4"                    | 1,00     |          |    | --    |



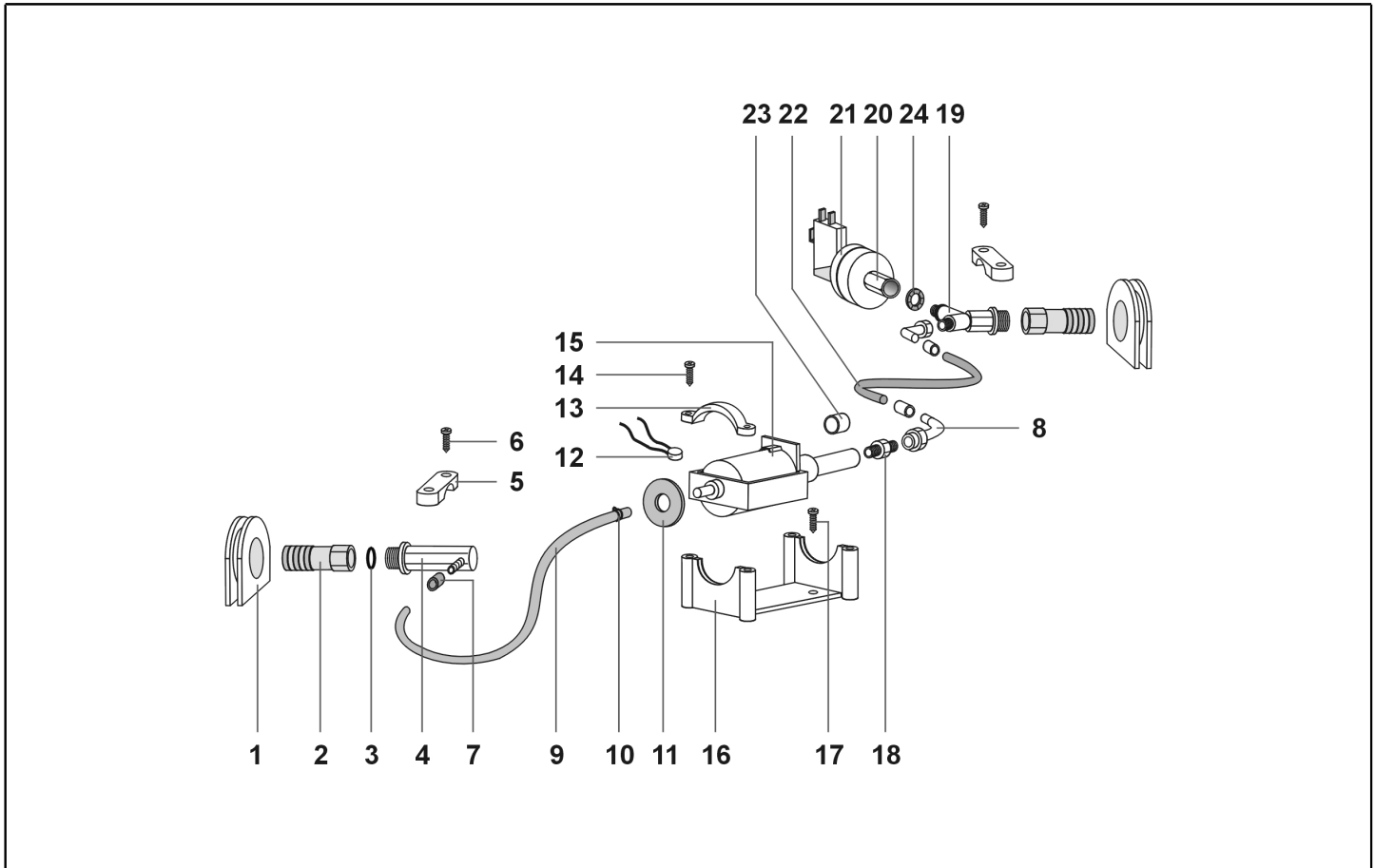
| Ref. K | Part N.   | Old Ref. | Description                         | Quantity | Validity |    | Price |
|--------|-----------|----------|-------------------------------------|----------|----------|----|-------|
|        |           |          |                                     |          | From     | To |       |
| 0001   | MPVR10436 | 02764/C  | PLASTIC TOP D.40 X 35 W/OR COMPL.   | 1,00     |          |    | --    |
| 0002   | MPVR41222 | 02812    | TIE ROD CAP                         | 1,00     |          |    | --    |
| 0003   | TBFX41220 | 02765    | DRAIN TUBE D.34 L=600               | 1,00     |          |    | --    |
| 0004   | RCVR00341 | 02889    | CONNECTION 1-1/4"                   | 1,00     |          |    | --    |
| 0005   | RCVR00756 | 02888    | RUBBER HOLDER UNION                 | 1,00     |          |    | --    |
| 0006   | GUGO00345 | 07798    | O-RING 28 X 2,5 NBR                 | 1,00     |          |    | --    |
| 0007   | GUGO41219 | 00256    | GASKET 60X40X4                      | 3,00     |          |    | --    |
| 0008   | RCVR41224 | 02890    | RUBBER HOLDER UNION CURVED 90°1-1/4 | 1,00     |          |    | --    |
| 0009   | FSVR00074 | 03592    | CLIP 300X9                          | 1,00     |          |    | --    |



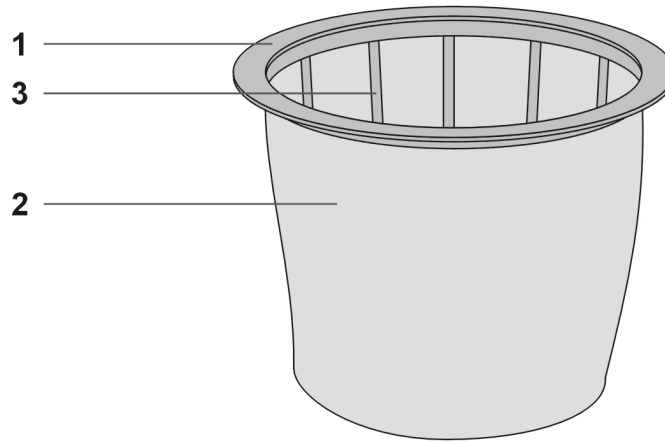
| Ref. K | Part N.   | Old Ref.  | Description                    | Quantity | Validity |    | Price |
|--------|-----------|-----------|--------------------------------|----------|----------|----|-------|
|        |           |           |                                |          | From     | To |       |
| 0001   | LAFN06533 | 00946     | TANK GARAGE/CALIFORN. AISI 304 | 1,00     |          |    | --    |
| 0002   | MPVR09002 | 02652 AG6 | PIPE UNION R155 G6000 W/PUL.RN | 1,00     |          |    | --    |
| 0003   | GUGO28701 | 02846     | GASKET D.38                    | 1,00     |          |    | --    |
| 0004   | MPVR08681 | 02586G6   | GASKET R 205 GREY 6000         | 1,00     |          |    | --    |
| 0005   | MPVR28696 | 02593     | DEFLECTOR 99                   | 1,00     |          |    | --    |
| 0006   | VTVT71966 | 01026     | SCREW PAT TMT PHL 5X30 BLACK   | 4,00     |          |    | --    |
| 0007   | PMVR02871 | 01847/SG6 | PLASTIC HOOK COMPL. GR6000     | 2,00     |          |    | --    |
| 0008   | VTVR71991 | 01301     | RIVET 5X11                     | 4,00     |          |    | --    |
| 0009   | MPVR09429 | 02993-1G6 | HANDLE GREY 6000               | 2,00     |          |    | --    |
| 0010   | RIGE00015 | 03968     | COMPLETE SEAL W/SCREW L=25     | 4,00     |          |    | --    |



| Ref. K | Part N.   | Old Ref.  | Description                     | Quantity | Validity |    | Price |
|--------|-----------|-----------|---------------------------------|----------|----------|----|-------|
|        |           |           |                                 |          | From     | To |       |
| 0001   | LAFN09734 | 00918-1 V | HANDLE MARKET 400 BLACK         | 1,00     |          |    | --    |
| 0002   | MPVR02240 | 00917 V   | VARNISHED SUPPORT TUBE          | 2,00     |          |    | --    |
| 0003   | LAFN03247 | 00913     | "T" TUBE                        | 2,00     |          |    | --    |
| 0004   | VTVR00396 | 01302NE   | RIVET 4,8X17 BLACK              | 2,00     |          |    | --    |
| 0005   | VTVR00162 | 00914     | HAND-WHEEL M 8X60               | 1,00     |          |    | --    |
| 0006   | LAFN06613 | 01403     | PLATE LOCKING THREADED          | 1,00     |          |    | --    |
| 0007   | VTVR00396 | 01302NE   | RIVET 4,8X17 BLACK              | 2,00     |          |    | --    |
| 0008   | MPVR08479 | 021567NE  | TROLLEY BODY 400 MARKET B       | 1,00     |          |    | --    |
| 0009   | VTVT71960 | 01005     | SCREW PAT TMT PHL 5X14 ZN BLACK | 1,00     |          |    | --    |
| 0010   | FsvR41221 | 02788     | LIRA CLAMP D.34                 | 1,00     |          |    | --    |
| 0011   | LAFN09549 | 030039    | WHEEL PIN D.18X105 SP.1.5 ZN    | 2,00     |          |    | --    |
| 0012   | VTVT71966 | 01026     | SCREW PAT TMT PHL 5X30 BLACK    | 8,00     |          |    | --    |
| 0013   | RTRT85069 | 00904     | REAR WHEEL D.200                | 2,00     |          |    | --    |
| 0014   | MPVR85070 | 03835NE   | WHEEL CAP D.200/250 BLACK       | 2,00     |          |    | --    |
| 0015   | MPVR28774 | 02967     | LOCK PIVOT BRACKET              | 2,00     |          |    | --    |
| 0016   | MPVR86321 | 02557     | BLOC. D.18                      | 2,00     |          |    | --    |
| 0017   | VTVR00396 | 01302NE   | RIVET 4,8X17 BLACK              | 2,00     |          |    | --    |
| 0018   | RTRT40020 | 020418    | FRONT WHEEL D.80 W/PIVOT        | 2,00     |          |    | --    |
| 0019   | MPVR02288 | 06250     | PLAST.TROLLEY HANDLE            | 2,00     |          |    | --    |



| Ref. K | Part N.   | Old Ref.  | Description                       | Quantity | Validity |    | Price |
|--------|-----------|-----------|-----------------------------------|----------|----------|----|-------|
|        |           |           |                                   |          | From     | To |       |
| 0001   | MEVR86518 | 06082     | GUIDING SLIT LAVA                 | 2,00     |          |    | --    |
| 0002   | RCIN38910 | 03689/OTT | QUICK SOCKET 1/4"F                | 2,00     |          |    | --    |
| 0003   | GUGO72029 | 01610     | O RING 9                          | 2,00     |          |    | --    |
| 0004   | RCVR46960 | 06395     | PLAST."L" COUPLING                | 1,00     |          |    | --    |
| 0005   | MPVR28794 | 02604     | FIXING BOLT CONN.                 | 2,00     |          |    | --    |
| 0006   | VTVT72055 | 01979     | SCREW PFU TMT PHL 5X25 ZN BLACK   | 4,00     |          |    | --    |
| 0007   | FSVR38348 | 03171     | PLAST.CLIP D.8                    | 3,00     |          |    | --    |
| 0008   | RCVR00850 | 03747     | PL.CONNECTOR COUPLING 1/8"F-PG5,2 | 2,00     |          |    | --    |
| 0009   | TBBP72261 | 00723     | HYDROLITIC HOSE 8x5 PER METER     | 0,12     |          |    | --    |
| 0010   | FSVR72111 | 02659     | CLIP 9,3-9,9                      | 1,00     |          |    | --    |
| 0011   | GUGO28799 | 02571     | RUBBER WASHER D.32X13X3           | 2,00     |          |    | --    |
| 0012   | METK42457 | 03037     | THERMAL PROTECTION                | 1,00     |          |    | --    |
| 0013   | LAFN28797 | 02602     | "U" PUMP BRACKET                  | 2,00     |          |    | --    |
| 0014   | VTVT72055 | 01979     | SCREW PFU TMT PHL 5X25 ZN BLACK   | 4,00     |          |    | --    |
| 0015   | MEPD00004 | 00758     | "U" PUMP 230 V.50 HZ              | 1,00     |          |    | --    |
| 0016   | LAFN28798 | 02603     | "U" PUMP SUPPORT                  | 1,00     |          |    | --    |
| 0017   | VTVT72207 | 03629     | SCREW PAT TMT PHL 5X25 BLACK      | 2,00     |          |    | --    |
| 0018   | RCVR00848 | 03720     | NIPPLE PLAST 1/8"                 | 1,00     |          |    | --    |
| 0019   | RCVR01080 | 03096     | PLAST."Y" COUPLING 2 WAYS         | 1,00     |          |    | --    |
| 0020   | RCVR72251 | 00689     | NIPPLE 1/4" F. 1/8" F.            | 1,00     |          |    | --    |
| 0021   | MEPF72220 | 03919     | PRESSURE SWITCH GP110             | 1,00     |          |    | --    |
| 0022   | TBBP72261 | 00723     | HYDROLITIC HOSE 8x5 PER METER     | 0,15     |          |    | --    |
| 0023   | LAFN86519 | 06118     | METAL BUSH 16X12                  | 1,00     |          |    | --    |
| 0024   | VTRS00168 | 03722     | TOOTHED WASHER M10 UNI 8842       | 1,00     |          |    | --    |



| Ref. K | Part N.   | Old Ref.  | Description                      | Quantity | Validity |    | Price |
|--------|-----------|-----------|----------------------------------|----------|----------|----|-------|
|        |           |           |                                  |          | From     | To |       |
| 0001   | MPVR35807 | 00473     | FILTER RING 400                  | 1,00     |          |    | --    |
| 0002   | FTDP00523 | 02845 SAN | FILTER POLY AN4-600 CON REG H320 | 1,00     |          |    | --    |
| 0003   | MPVR09199 | 02833-1   | CONICAL BASKET 400               | 1,00     |          |    | --    |